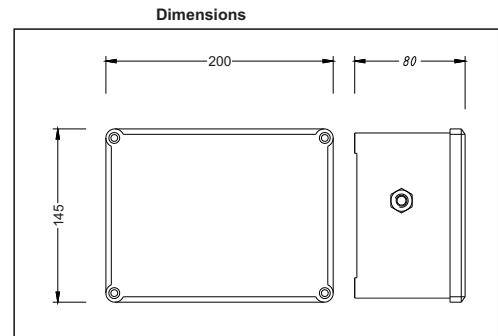


## Electric Fence Protection Kit

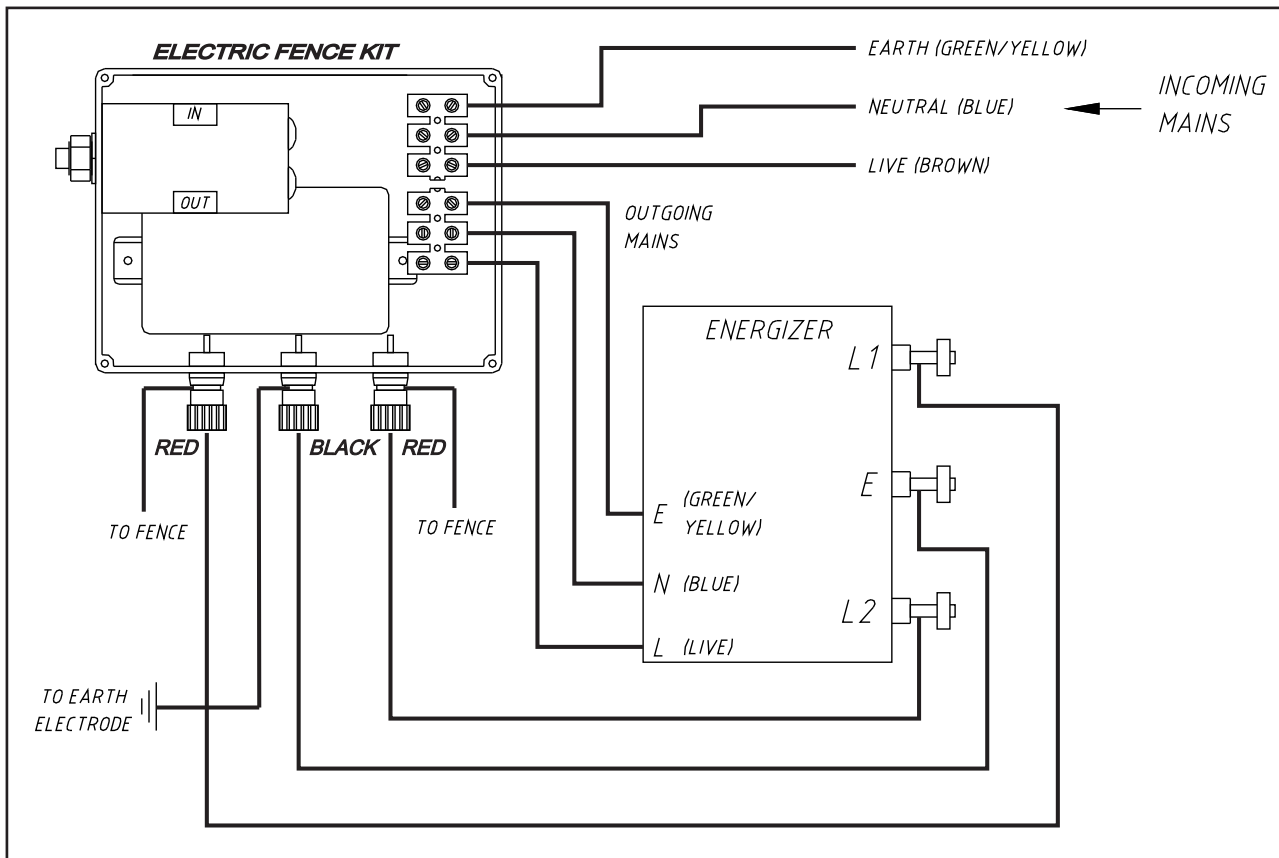
This protection kit provides an integrated approach to the protection of electrical fences. It provides surge and filtered protection for the incoming mains supply with an additional protector for earth potential equalization. A high voltage unit is supplied for the protection of energizer output terminals.



Specifications	
Max. operating voltage	250 VAC 50Hz
Max. discharge current	8000A 8/20
Max. high voltage output	15kV DC
Max. high voltage surge current	6.5kA 8/20
Response time	<25ns
Temperature range	-20°C to 70°C
Filtration (power only)	-50dB L-N, L-E, N-E
Standards compliance	IEC 61643-1 ANSI 662.1



## Connecting Details



### Designed and Manufactured by:

**Clearline Protection Systems (Pty) Ltd**

Roan Crescent Corporate Park North, Old Pta Road, Midrand, South Africa

P.O. Box 5985, Halfway House, 1685

Tel: +27 (0) 11 848-1100

Fax: +27 (0) 11 314-3880

E-mail: info@clearline.co.za

www.clearline.co.za