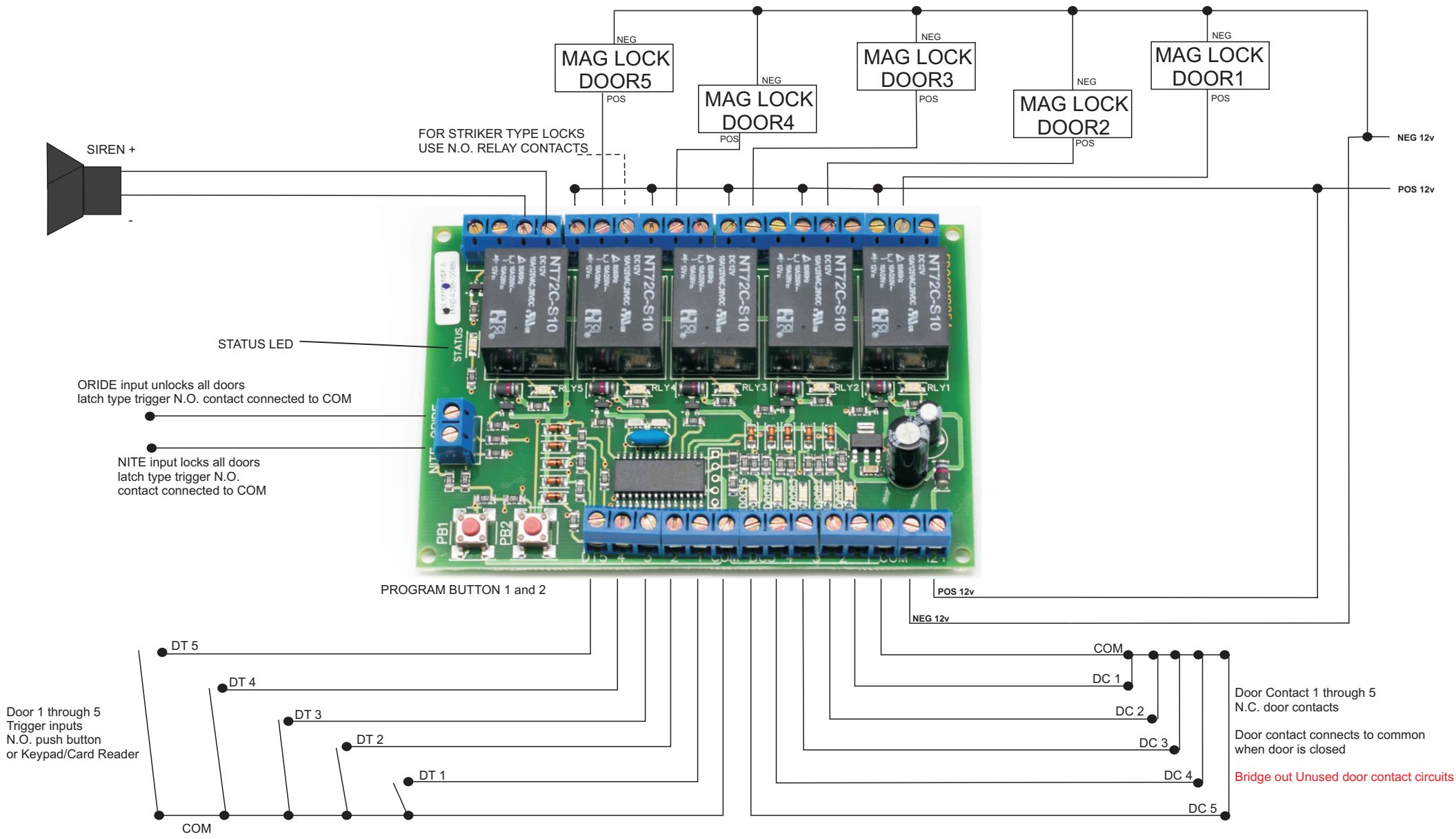




# Five Door Interlocking Unit

Instruction Leaflet



N.C. = Normally Closed    N.O. = Normally Open    ● Denotes connection



# Five Door Interlocking Unit

Instruction Leaflet

## Connection

Connect 12v DC power to the PCB, relay common points and mag/striker locks.

Use N.C. relay contacts for mag locks and N.O. relay contacts for striker locks.

Connect all valid door trigger inputs.

Connect all magnetic switch inputs DM1-5, some mag locks have the switch built into the lock, check the lock instruction sheet for wires used for COM and N.C. connections.

For unused doors bridge the DM1-5 to COM on the interlocking PCB.

## Operation

Apply 12v DC voltage, status LED flashes once

All doors interlock with each other.

PROGRAMMABLE version is available upon request where each door can be set to interlock with any amount of other doors.

Press and hold program button, all relays turn on to release power to mag locks.

Release program button and all relays turn off. This feature can be used to test the wiring and functionality of all the door wiring.

Ensure all doors are closed. If all 5 doors are not being used then the spare door magnetic contacts(DM1-5) **must be bridged out** to simulate that unused door being closed.

Trigger any of the doors, using DT1-5 inputs. If one of the other doors is open the status LED flashes but the triggered door will not release, else the door triggered relay and corresponding LED output will turn on cutting power to the mag lock.

A green LED will indicate that the door is now ready to be opened.

Enter through the door.

Once the door closes the status light flashes and the unit is ready for another trigger.

If the door is held open for more than 10 seconds the siren output triggers

To release all doors trigger the NITE input with a key/latch type trigger and all relays will turn on.

To lock all doors trigger the LOCK input with a key/latch type trigger, all doors will lock and all triggers will be ignored.