

TAKEEX

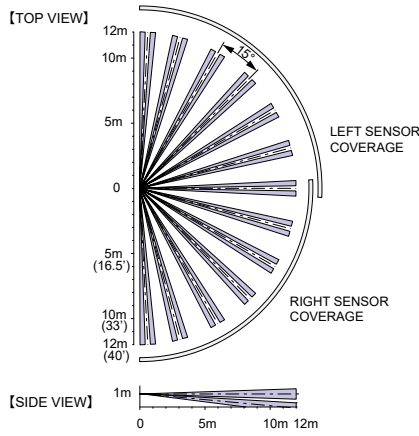
SECURITY & CONTROL

PRODUCT CATALOG



 Reditron

BD126-4
MX-12FAM
12m(40ft) x 180°



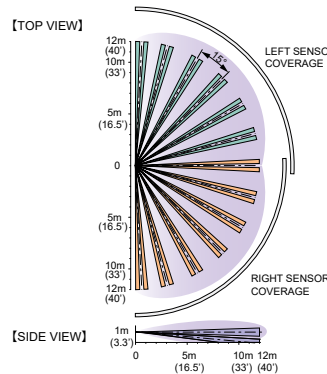
FEATURES

- Dual-zone detection system
- 2 to 12m (6.6 to 40ft) coverage
- Dual alarm signal outputs
- Anti-masking technology with near-lens awareness
- Front and back tampers
- Stowable area masks



Detection System	Passive infrared (Twin x 2)
Alarm Output (1)	[RIGHT+LEFT] or [RIGHT] Dry contact relay output N.C./N.O. selectable 30V (AC/DC) 0.2A Max. Detection time (+2sec)
Alarm Output (2)	[LEFT] Dry contact relay output N.C./N.O. selectable 30V (AC/DC) 0.2A Max. Detection time (+2sec)
Trouble Output	[EXTERNAL OUTPUT] Dry contact relay output N.O. 30V (AC/DC) 0.2A Max. Detection time (+30sec. Latch time)
Tamper Output	Dry contact relay output N.C. 30V (AC/DC) 0.1A Max.
Supply Voltage	9 to 28V DC (non-polarity)
Current Consumption	30mA
External Dimensions - WHD	80 x 221 x 82.5mm (3.15 x 8.7 x 3.25")
IP Rating	55
Weight	350g (12.4oz)

BD126-5
MX-12FAMD
12m(40ft) x 180°



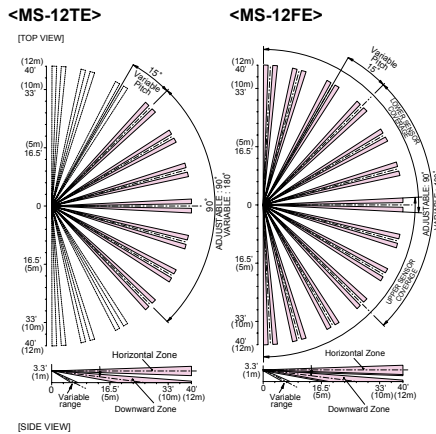
FEATURES

- Dual technology (PIR + MW)
- Dual-zone detection system
- 2 to 12m (6.6 to 40ft) coverage
- Dual alarm signal outputs
- Anti-masking technology with near-lens awareness
- Adjustable anti-masking level
- Front and back tampers
- Stowable area masks



Detection System	Passive infrared & Microwave
MW Frequency/Power	24.15 to 24.25GHz 12.7dBm e.i.r.p.
Alarm Output (1)	[RIGHT+LEFT] or [RIGHT] Dry contact relay output N.C./N.O. selectable 30V (AC/DC) 0.2A Max. Detection time (+2sec)
Alarm Output (2)	[LEFT] Dry contact relay output N.C./N.O. selectable 30V (AC/DC) 0.2A Max. Detection time (+2sec)
Trouble Output	[EXTERNAL OUTPUT] Dry contact relay output N.O. 30V (AC/DC) 0.2A Max. Detection time (+30sec. Latch time)
Tamper Output	Dry contact relay output N.C. 30V (AC/DC) 0.1A Max.
Supply Voltage	9 to 28V DC (non-polarity)
Current Consumption	40mA
External Dimensions - WHD	80 x 221 x 82.5mm (3.15 x 8.7 x 3.25")
IP Rating	55
Weight	400g (14.2oz)

BD126-2	BD126-1
MS-12TE	MS-12FE
12m (40ft) x 90°	12m (40ft) x 180°



FEATURES

- Dual-zone detection system
- 2 to 12m (6.6 to 40ft) coverage
- Rotating sensor heads (±90° horizontal adjustment)
- AND/OR detection modes (MS-12FE only)

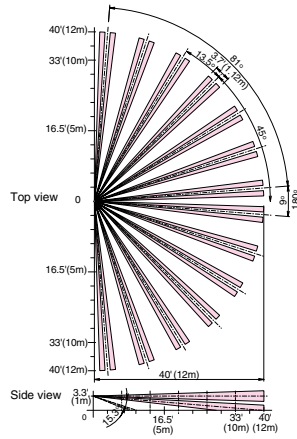


Model	MS-12TE	MS-12FE
Detection System	Passive infrared	Twin x 2
Alarm Output	Dry contact relay output: N.C./N.O. selectable 30V (AC/DC) 0.25A Max Reset time: approx 2sec.	
Supply Voltage	12 to 28V DC (non-polarity)	
Current Consumption	35mA	40mA
Ambient Temperature	-20°C to +50°C (-4°F to +122°F)	
Mounting Position	Outdoor, Indoor	
External Dimensions - WHD	80 x 234 x 91mm (3.15 x 9.22 x 3.58")	
IP Rating	54	
Weight	390g (13.8oz)	470g (16.6oz)

BD127

OMS-12FE

12m (40ft) x 180°



FEATURES

- Dual-zone detection system
- 3 to 12m (10 to 40ft) coverage
- Fixed sensor heads
- Supplied masking sheets allow precise area control
- Front and back tampers



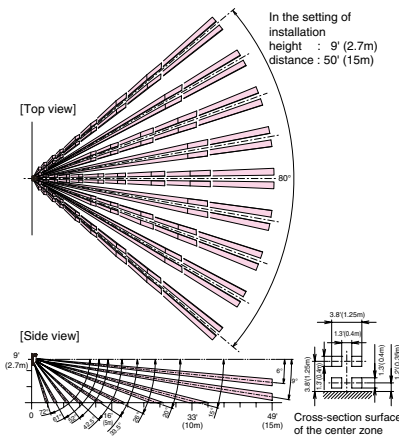
Detection System	Passive infrared (Twin x 2)
Alarm Output	Dry contact relay output N.C./N.O. selectable <ul style="list-style-type: none"> • Contact capacity: 30V AC/DC 0.2A MAX. (Resistive load) • Contact operation: Detection time (2sec)
Tamper Output	Dry contact relay output N.C. Contact capacity: 30V (AC/DC), 0.1A MAX. (Resistive load)
Supply Voltage	9 to 28V DC (non-polarity)
Current Consumption	20mA
Ambient Temperature	-20°C to +50°C (-4°F to +122°F)
Mounting Position	Outdoor, Indoor
External Dimensions - WHD	94 x 234 x 77.5mm (3.70 x 9.21 x 3.05")
IP Rating	54
Weight	470g (16.6oz)

DUAL-ZONE PIR OUTDOOR
Both a horizontal curtain and a downward curtain need to be activated simultaneously for an alarm. Perfect for use in both domestic and industrial applications.

BD135-5

PIR-T15AM

15m (49ft) x 80°



FEATURES

- High performance triple mirror optical system
- Anti-masking function
- 4 operation modes: Low Position, High Position, Pet Mode, High Density
- 2 to 6m (6.6 to 20ft) installation height
- Precise LED detection area adjustment function



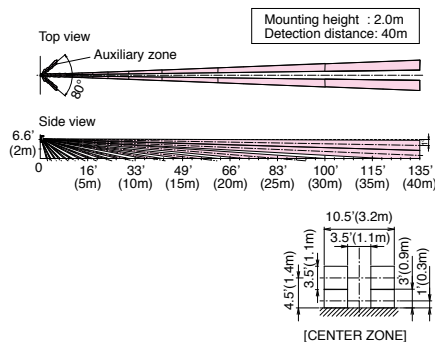
Detection System	Passive infrared (Triple mirror)
Alarm Output	Dry contact (semi-conductor) output N.C./N.O. 24V (AC/DC) 0.25A (resistive load)
Supply Voltage	9 to 28V DC (non-polarity)
Current Consumption	50mA
Functions	<ul style="list-style-type: none"> • External output • Low voltage monitoring • Back tamper • Anti-masking
Ambient Temperature	-25°C to +55°C (-13°F to +131°F)
Mounting Position	Outdoor, Indoor
External Dimensions - WHD	114 x 285.5 x 119.5mm (4.49 x 11.24 x 4.70")
IP Rating	55
Weight	600g (21.2oz)

HIGH PERFORMANCE PIR OUTDOOR
Using the highest quality mirror-optics, these detectors have been designed for the most demanding environments where quality and reliability matter.

BD135-4

PIR-T40NAM

45m (148ft) vertical curtain



FEATURES

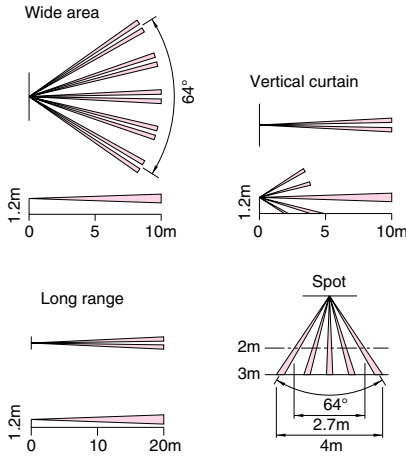
- High performance triple mirror optical system
- Anti-masking function
- 4 operation modes: Low position, Middle position, High position, High density
- 2 to 6m (6.6 to 20ft) installation height
- Precise LED detection area adjustment function



Detection System	Passive infrared (Triple mirror)
Alarm Output	Dry contact (semi-conductor) output N.C./N.O. selectable 24V (AC/DC) 0.25A (resistive load)
Supply Voltage	9 to 28V DC (non-polarity)
Current Consumption	50mA
Functions	<ul style="list-style-type: none"> • External output • Low voltage monitoring • Back tamper • Anti-masking
Ambient Temperature	-25°C to +55°C (-13°F to +131°F)
Mounting Position	Outdoor, Indoor
External Dimensions - WHD	114 x 285.5 x 119.5mm (4.49 x 11.24 x 4.70")
IP Rating	55
Weight	600g (21.2oz)

MULTI-PATTERN PIR OUTDOOR
MS-100E offers the choice of wide angle, vertical and horizontal curtain, or long range detection from within a single discreet housing.

BD126
MS-100E
10m (33ft) wide / 10m (33ft) curtain / 20m (66ft) long

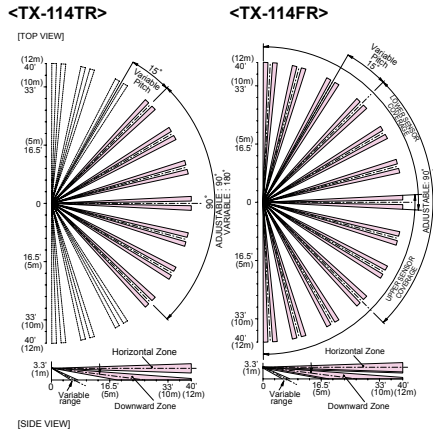
Detection System	Passive infrared (Twin)
Alarm Output	Dry contact relay output: N.C./N.O. selectable Reset time: approx 2sec. 30V (AC/DC) 0.5A Max
Supply Voltage	10.5 to 28V DC (non-polarity)
Current Consumption	30mA
Detection Area	Wide angle: 10m (33ft) Vertical curtain: 10m (33ft) Long range: 20m (66ft) Spot: 3m (10ft)
Ambient Temperature	-20°C to +50°C (-4°F to +122°F)
Mounting Position	Outdoor, Indoor
Optional	Pole cover, Pole attachment, Wall mount bracket, Wall / Ceiling attachment, Magnetic sheet.
External Dimensions - WHD	77 x 171 x 70mm (3.03 x 6.73 x 2.76")
Weight	220g (7.8oz)

FEATURES

- Supplied with Wide Angle and Long Range lenses
- Choose from 4 detection patterns
- Can be mounted horizontally or vertically
- Sensor head rotates a full 180 degrees
- Weather resistant for indoor or outdoor use

BATTERY PIR OUTDOOR
These battery powered sensors offer the same levels of protection as our MS-12 family, designed for compatibility with leading wireless systems.

BD126-7 **BD126-3**
TX-114TR **TX-114FR**
12m (40ft) x 90° 12m (40ft) x 180°

Model	TX-114TR	TX-114FR
Detection System	Passive infrared	
Operation	10VDC - 0.01A Max • Alarm output • Tamper output • Trouble output	
Supply Voltage	3V to 9V DC Alkaline or Lithium Battery	
Current Consumption	25µA	35µA
	5mA/3V (Test mode)	
Ambient Temperature	-20 to +50 (44 to +122)	
Mounting Position	Outdoor, Indoor	
External Dimensions - WHD	91 x 245 x 119.5mm (3.58 x 9.65 x 4.70")	
IP Rating	54	
Weight	560g (19.8oz)	620g (21.9oz)

FEATURES

- Dual-zone detection system
- 2 to 12m (6.6 to 40ft) coverage
- Rotating sensor heads (±90° horizontal adjustment)
- Compatible with numerous wireless transmitter units
- Back-box with 3-stage tamper: front, mid, and back
- Low battery monitoring

DUAL-ZONE PIR

OMS-12

Our Dual-Zone PIR sensors combine horizontal and downward curtains which require simultaneous activation for alarm.



Fixed sensor heads

VALUE



MS-12

The series that started it all. Industry-leading Dual-Zone detection with adjustable optics.



Adjustable sensor heads

PRO



MX-12

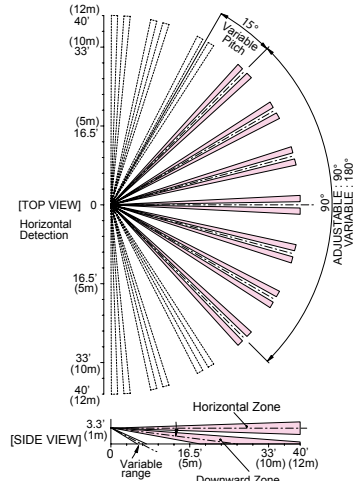
Next generation Dual-Zone detection with anti-masking technologies and dual outputs.



PRO+

BD135-2**TX-114SR**

12m (40ft) x 90°

**FEATURES**

- Dual-zone detection system
- 2 to 12m (6.6 to 40ft) coverage
- Rotating sensor head ($\pm 90^\circ$ horizontal adjustment)
- Compatible with numerous wireless transmitter units
- Low battery monitoring



Detection System	Passive infrared: Twin
Operation	10VDC - 0.01A Max • Alarm output (Blue wires) • Tamper output (Green wires) • Trouble output
Supply Voltage	3V to 9V DC Alkaline or Lithium Battery
Current Consumption	5mA/3V (Test mode)
Ambient Temperature	-20°C to +50°C (-4°F to +122°F)
Mounting Position	Outdoor, Indoor
External Dimensions - WHD	80 x 234 x 91mm (3.15 x 9.21 x 3.58")
IP Rating	54
Weight	400g (14.1oz)

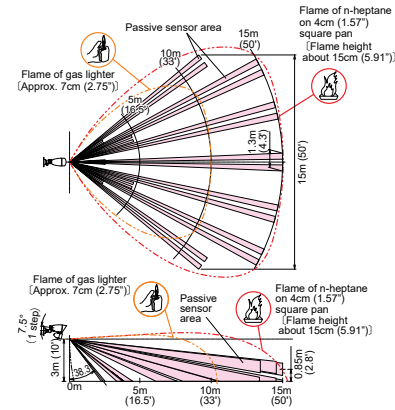
BATTERY PIR OUTDOOR
These battery powered sensors offer the same levels of protection as our MS-12 family, designed for compatibility with leading wireless systems.

BD133-6**FP-5500E**

10m (33ft) / 7cm (2.75") flame



[Flame sensor sensitivity "H"]

**FEATURES**

- Two output modes selectable
- Forced output operation
- Alarm memory
- Operation set-up by detection timer (Flame)

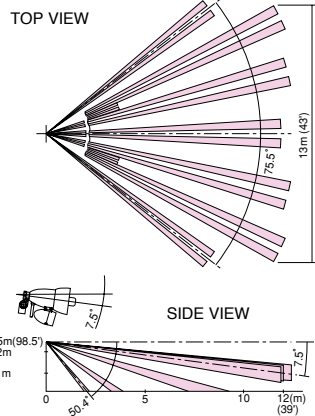


Detection System	Ultraviolet rays detection + Passive infrared
Detection Distance	Flame sensor part : 7cm (2.75") lighter flame at 10m (33ft) Passive sensor part : 15m (49ft) wide angle
Alarm Output	2 x Dry contact relay (N.C./N.O. selectable) (1 x Flame sensor, 1 x Passive sensor) 30V (AC/DC) 0.25A Max.
Supply Voltage	10 to 30V AC/DC (non-polarity)
Current Consumption	25mA Max.
Ambient Temperature	-20°C to +50°C (-4° F to +122° F)
Mounting Position	Outdoor, Indoor
External Dimensions - WHD	104 x 157 x 249mm (4.09 x 6.18 x 9.80")
Weight	550g (19.4oz)

OUTDOOR FLAME PASSIVE SENSOR

SD138-1**PV-12**

12m (40ft) x 75°

**FEATURES**

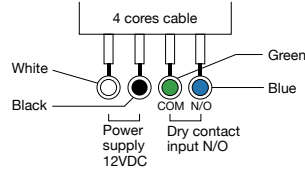
- Integrated PIR triggers activation
- Alarm output
- Record a message (12 sec) using built-in microphone
- Omni-directional bracket
- Horn speaker type
- 100dB/1m (3.3ft) max



Detection System	Passive infrared
Coverage Area	Wide angle protection Coverage 12m (39.4ft) max.
Supply Voltage	10 to 14V DC
Current Consumption	20mA (Stand by) 500mA (Max)
Voice Output	Max 100dB/2W
Alarm Output	Dry contact relay output: form C 30V (AC/DC) 0.5A Contact operation: synchronized with recording time (Min. 2 sec.)
Ambient Temperature	-20°C to +50°C (-4°F to +122°F)
Mounting Position	Outdoor, Indoor
External Dimensions - WHD	115 x 172 x 289mm (4.53 x 6.77 x 11.38")
Weight	1.0kg (2.2lb)

ATTENTION SENSORS
Takex attention sensors provide welcome message, protect emergency doors, deter would-be intruder, or trigger warning messages in a variety of different applications.

SD138
AV-100E
N.O. input for activation



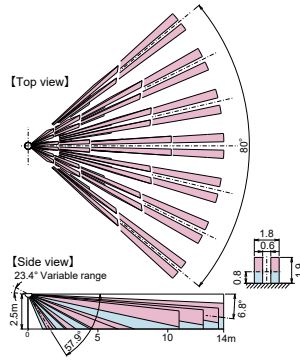
FEATURES

- Requires external trigger for activation (N.O. input)
- Record a message (12 sec) using built-in microphone
- Omni-directional bracket
- Horn speaker type
- 100dB/1m (3.3ft) max



Supply Voltage	10 to 14V DC
Current Consumption	20mA (Stand by) 500mA. Max
Sound Output	Max 100dB/2W
Alarm Input	Dry contact N.O.
Ambient Temperature	-20°C to +50°C (-4°F to +122°F)
Mounting Position	Outdoor, Indoor
External Dimensions - WHD	115 x 172 x 289mm (4.53 x 6.77 x 11.38")
Weight	1.0kg (2.2lb)

BD139-2
PA-6614E/(BL)
14m (46ft) wide angle



FEATURES

- Unique twin mirror and two pyro system reinforced by next generation signal processing
- Up to 6m (19ft) installation height
- Ceiling mount design
- Accurately detects human intrusion whilst rejecting nuisance alarms from small animals
- Geared mirror array for precise area definition
- Detachable base unit with snap-in/out sensor design

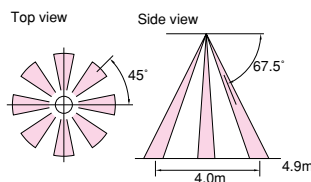


Detection System	Passive infrared (Twin x 2)
Alarm Output	Dry contact (Semi-conductor) relay output N.C./N.O. selectable Reset time : 2sec. 24V (AC/DC) 0.25A Max.
Supply Voltage	7 to 30V DC (non-polarity)
Current Consumption	8mA
Functions	• Self-diagnosis • Temperature compensation
Ambient Temperature	-15°C to +55°C (-5° F to +131° F)
Mounting Position	Indoor
Optional	Ceiling/wall mount attachment
External Dimensions - WH	120 dia. x 55 mm (4.72 dia. x 2.16")
Weight	120g (4.23oz)

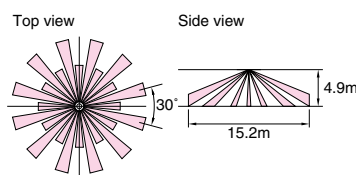
BD139-3	BD139-4
PA-6810E	PA-6810E(BL)
15m (50ft) x 360°	15m (50ft) x 360°



<PA-6805E>



<PA-6810E>



FEATURES

- 2 to 5m (6.6 to 16.5ft) installation height
- Ceiling mount design
- Detachable base unit with snap-in/out sensor design
- Slim and compact 47mm (1.85") profile



Detection System	Passive infrared (Twin)
Alarm Output	Dry contact (Semi-conductor) output: N.C./N.O. selectable Reset time: approx. 2sec. 24V (AC/DC) 0.25A Max
Supply Voltage	7 to 28V DC (non-polarity)
Current Consumption	11mA
Functions	• Alarm LED control • Pulse count
Ambient Temperature	-15°C to +55°C (+5°F to +131°F)
Mounting Position	Indoor
Optional	Ceiling / wall mount attachment
External Dimensions	120 dia. x 47mm (4.72 dia. x 1.85")
Weight	110g (3.9oz)

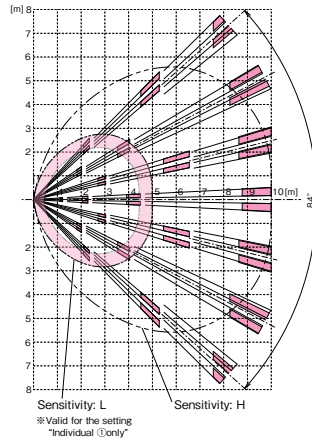
BD133

FP-2500E

10m (33ft) / 7cm (2.75") flame



Wide Angle



FEATURES

- Two output modes selectable
- Forced output operation
- Alarm memory
- Pet immunity (Passive sensor)
- Area adjustment (Passive sensor)
- Operation set-up by detection timer (Flame sensor)



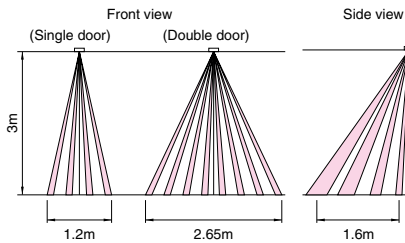
Detection System	Ultraviolet rays detection + Passive infrared
Detection Distance	<ul style="list-style-type: none"> • Flame sensor part : 7cm (2.75") lighter flame at 10m (33ft) • Passive sensor part : 10m (33ft) wide angle
Alarm Output	2 x Dry contact relay (N.C./N.O. selectable) (1 x Flame sensor, 1 x Passive sensor) 30V (AC/DC) 0.25A Max.
Supply Voltage	10 to 30V DC (non-polarity)
Current Consumption	20mA Max.
Ambient Temperature	-15°C to +55°C (-5° F to +131° F)
Mounting Position	Indoor
Optional	Ceiling/wall mount attachment
External Dimensions - WHD	70 x 110 x 55 mm (2.70 x 4.33 x 2.17")
Weight	120g (4.23oz)

INDOOR FLAME PASSIVE SENSOR
Ideal combination sensor to minimize nuisance alarm.

BD138-3

DA-303

3m (10ft) width at height 3m (10ft)



FEATURES

- Auto door sensor
- Near infrared beam type
- High-density detection pattern
- Easy to disable rows to meet any detection requirement
- Adjustable pattern width (for single/double doors)
- 4-step stationary detection (inc. infinite)
- 4 selectable channels to prevent crosstalk
- 4 selectable environment sensitivity settings
- Slim and compact design
- Suitable for AC/DC operation
- 5 colors available (silver, bronze, white, black, metallic)

Detection System	Near infrared beam direct reflection
Max Installation Height	3m (10ft)
Area Adjustable Angle	Main body adjustable angle: 0° to +5° Depth: 1 line to 4 lines Width: Adjustable by switch
Supply Voltage	12 to 110V (AC/DC) ±10% 50/60Hz
Current Consumption	AC100V: 2.4VA, AC12V: 1.7VA, AC24V: 1.7VA, DC12V: 40mA, DC24V: 80mA
Alarm Output	Dry contact relay N.O. 50V DC 0.1A or less
Output Holding Time	Approx. 0.5sec.
Stationary Detection Time	2, 10, 60sec. and ∞ selectable by dip switch
Ambient Temperature	-20°C to +60°C (-4°F to +140°F)
External Dimensions - WHD	210 x 59 x 28mm (8.27 x 2.32 x 1.10")
Weight	180g (6.35oz)



AUTO DOOR SENSORS
Takeex Auto Door sensors use NIR(Near Infrared Reflection) technology providing the most stable detection method for this application.

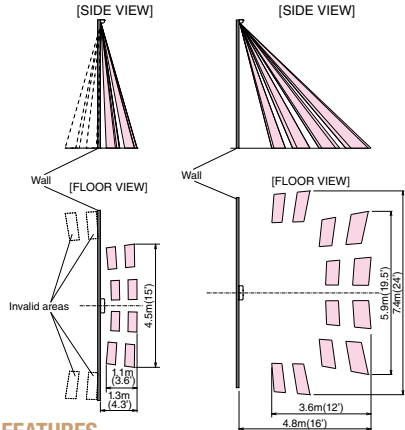
PS-530E/(BK)

4.5m (15ft) width at height 4.5m (15ft)



PS-3PL/(BK)

Mounting height : 4.5m(15') Angle : 0°



FEATURES

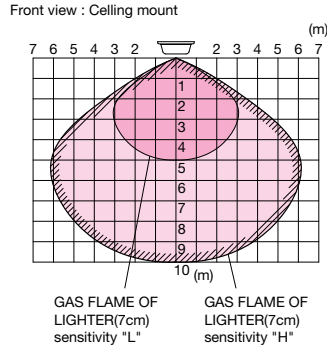
- Request-to-Exit sensor
- 4 sensitivity selectable (Low/Middle/High/Ex-High)
- 2-way installation (wall&ceiling)
- Adjustable detection angle 0 to 30 degrees
- Fail safe/fail secure selectable
- Adjustable relay timer at 8 pattern 0 to 64 seconds
- PS-3PL mounting plate for single gang box (Optional)
Dim. - WHD : 154 x 80 x 10mm (6.06 x 3.15 x 0.39")



Detection System	Passive Infrared
Alarm Output	2 x Dry contact relay form C Capacity: 24V (AC/DC) 0.25A
Supply Voltage	10.5 to 28V DC (non-polarity) 12 to 24V AC (50/60Hz)
Current Consumption	40mA / DC 70mA / AC
Wiring Connection	Screwless terminal
Ambient Temperature	-10°C to +50°C (+14°F to +122°F)
Mounting Position	Wall, ceiling (indoor)
External Dimensions - WHD	152 x 39 x 45mm (5.98 x 1.54 x 1.77")
Weight	100g (3.5oz)

REQUEST-TO-EXIT

BD133-1
FS-1000E
 10m (33ft) / 7cm (2.75") flame



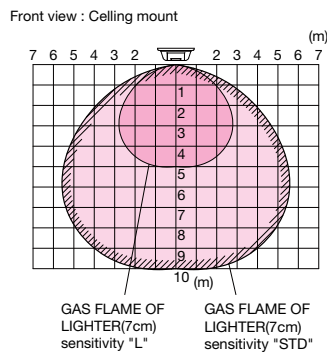
FEATURES

- High sensitivity ultraviolet flame sensor
- Built-in sounder
- Adjustable response time
- Battery or DC operation



Detection System	Ultraviolet rays detection
Detection Distance	7cm (2.75") gas/lighter flame at 10m (33ft)
Alarm Output	Open collector (semi-conductor) output N.O. 30V DC • 50mA Max Delay time (approx. 10sec)
Supply Voltage	Type AA Alkaline battery (LR-6) x 2 (not included) External wiring 9 to 30V DC
Current Consumption	50mA
Ambient Temperature	-10°C to +60°C (+14°F to +140°F)
Mounting Position	Ceiling, wall (indoor)
Optional	Ceiling/wall mount attachment
External Dimensions	120 dia. x 40mm (4.72 dia. x 1.57")
Weight	200g (7.05oz)

BD133-2
FS-2000E
 10m (33ft) / 7cm (2.75") flame



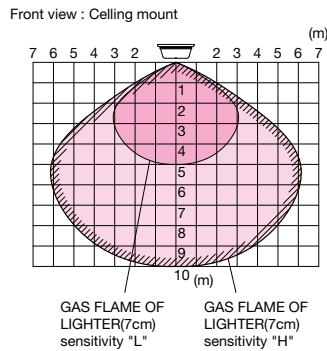
FEATURES

- High sensitivity ultraviolet flame sensor
- Adjustable detection area
- Built-in sounder
- Adjustable response time



Detection System	Ultraviolet rays detection
Detection Distance	7cm (2.75") gas/lighter flame at 10m (33ft)
Alarm Output	Dry contact relay output: form C Contact action time Min. 2sec. Contact capacity: 30V (AC/DC) 0.3A
Supply Voltage	10 to 30V DC (non-polarity)
Current Consumption	Stand-by: 25mA or less Alarm: 75mA or less with buzzer 40mA or less without buzzer
Ambient Temperature	-10°C to +60°C (+14°F to +140°F)
Mounting Position	Ceiling, wall (indoor)
Optional	Ceiling/wall mount attachment
External Dimensions	120 dia. x 40mm (4.72 dia. x 1.57")
Weight	150g (5.29oz)

BD133-4
FS-3500E (W)/(B)
 10m (33ft) / 7cm (2.75") flame



FEATURES

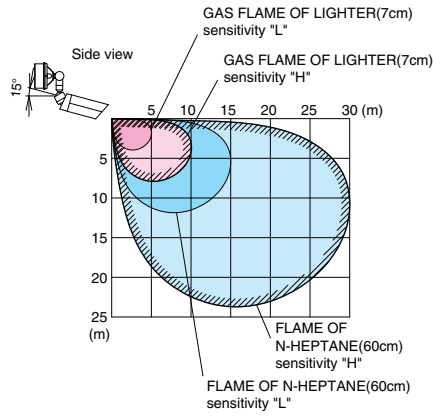
- High sensitivity ultraviolet flame sensor
- Prerecorded flame prohibition and non-smoking messages
- Choose between long and short message options
- English, Spanish, Japanese, Chinese, Korean languages message
- 80dB/1m (3.3ft) Max
- Adjustable response time
- Battery or DC operation



Detection System	Ultraviolet rays detection
Detection Distance	7cm (2.75") gas/lighter flame at 10m (33ft)
Alarm Output	Relay contact output N.C./N.O. Detection time plus 2 sec. Output 30V DC 0.1 A
Supply Voltage	Type AA Alkaline battery (LR6) x 2 (not included) External wiring 10 to 30V DC (Polarized)
Current Consumption	Stand by: 9mA or less Alarm: 220mA or less
Warning Message	"Japanese" "English" "Chinese" "Korean" "Spanish"
Mounting Position	Ceiling, wall (indoor)
Optional	Ceiling/wall mount attachment
External Dimensions	120 dia. x 45mm (4.72 dia. x 1.77")
Weight	180g (6.35oz) (battery excluded)

BD133-5**FS-5000E**

10m (33ft) / 7cm (2.75") flame

**FEATURES**

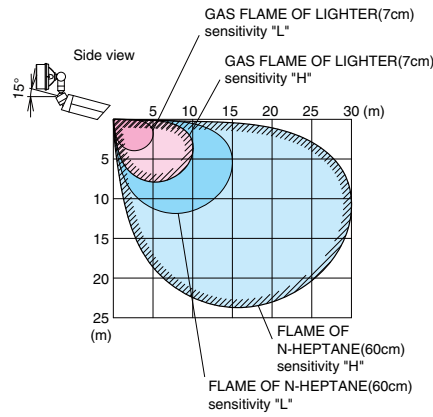
- High sensitivity ultraviolet flame sensor
- Omni-directional bracket
- Weather proof housing for indoor or outdoor use
- Adjustable response time
- DAY/NIGHT Sensing



Detection System	Ultraviolet rays detection
Detection Distance	7cm (2.75") gas/lighter flame at 10m (33ft)
Alarm Output	Dry contact relay: form C Contact capacity: 30V (AC/DC) 0.5A or less
Supply Voltage	10 to 30V DC (non-polarity)
Current Consumption	35mA or less
Ambient Temperature	-20°C to +50°C (-4°F to +122°F)
Mounting Position	Outdoor, Indoor
External Dimensions	112 dia. x 402mm (4.41 dia. x 15.83")
Weight	550g (19.4oz)

BD133-3**TX-124R**

10m (33ft) / 7cm (2.75") flame

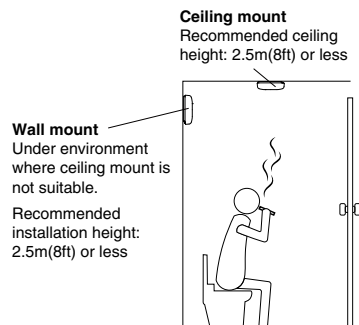
**FEATURES**

- High sensitivity ultraviolet flame sensor
- Powered by DC3V (CR-123A) battery
- Compatible with leading wireless transmitter models
- H/L sensitivity settings and 4-stage detection timer
- Omni-directional bracket
- Weather proof housing for indoor or outdoor use
- Adjustable response time

Detection System	Ultraviolet rays detection
Alarm Output	(Blue/White wires) Solid State Switch N.C 3V DC • 0.01A Max Output when detecting Ultraviolet, Real time + delay time 2 sec
Detection Distance	7cm (2.75") gas/lighter flame at 10m (33ft) 60cm (23.62") Flame of n-heptane on fire plate 15 x 15cm (5.91 x 5.91") at 30m (100ft) *The flame size is approximate.
Supply Voltage	(Red/Black wires) 3V DC (CR-123A: not included)
Current Consumption	Standby: 55µA Max, Detection: 5mA Max
Ambient temperature	-20°C to +50°C (-4°F to +122°F)
Mounting Position	Outdoor, Indoor
External Dimensions	112 dia. x 402mm (4.41 dia. x 15.83")
Weight	510g (18.0oz)

BD133-7**VS-1000E**

Vape Sensor

**FEATURES**

- High sensitivity particle sensor
- Built-in sounder
- Wiring communication for versatile application
- Sensitivity selectable Standard/Low
- Prevent from tampering with cover lock

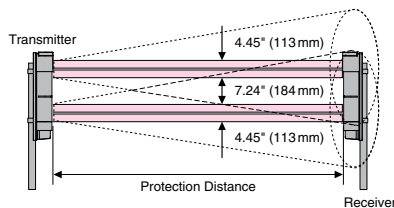


Detection System	Particle concentrations detection
Alarm Output	Dry contact relay: N.O./N.C. Contact capacity: 30V (AC/DC) 0.2A
Tamper Output	Dry contact relay: N.C. Contact capacity: 30V (AC/DC) 0.1A
Supply Voltage	10.5 to 28V DC (non-polarity)
Current Consumption	85mA or less
Functions	• Self-diagnosis
Ambient temperature	0°C to +50°C (+32°F to +122°F)
Mounting Position	Ceiling, wall (indoor)
External Dimensions	137 dia. x 41mm (5.39 dia. x 1.61")
Weight	210g (7.4oz)

OUTDOOR FLAME SENSORS
Our UV Flame sensors can be used outdoor, mountable on the wall or ceiling, with an effective 10m range, and N.O. contacts to connect to ancillary equipment.

VAPE SENSOR

BD137-5	BD137-10	BD137-24
PXB-50HF	PXB-100HF	PXB-200HF
50m (165ft) outdoor	100m (330ft) outdoor	200m (660ft) outdoor



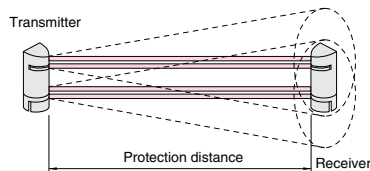
FEATURES

- 4 x synchronized high power beams
- 4 selectable beam channels to prevent crosstalk
- Double modulation for unsurpassed light immunity
- Increased beam separation minimizes nuisance alarms
- Vivid internal color aids beam alignment procedure
- Enhanced lightning and surge protection
- Environmental monitoring circuit
- Dynamic auto-gain lock (AGL)
- ±90° horizontal ±20° vertical adjustable sensor heads
- 50,000 lux sunlight immunity
- Dual tone sound alignment check



Detection System	Near infrared pulsed beam interruption system (TR-RE 4 beam simultaneous interruption)
Alarm Output	Dry contact relay output: form C Contact action: Interruption time (Min. 2sec.) Contact capacity: 30V (AC/DC) 0.25A (resistive load) Protective resistor
Supply Voltage	12 to 30V DC (non-polarity)
Current Consumption	30mA to 34mA
Functions	<ul style="list-style-type: none"> • Beam power selection • Response time adjustment • Programmed AGC
Ambient Temperature	-35°C to +66°C (-31°F to +151°F)
Optional	Pole cover, Pole-side cover, Heater
External Dimensions - WHD	114 x 450 x 100mm (4.49 x 17.72 x 3.94")
IP Rating	65
Weight - TR/RE	1.5kg (52.5oz) / 1.55kg (54.30oz)

BD137-20		
PB-IN-50HFA	PB-IN-100HFA	PB-IN-200HFA
50m (165ft) outdoor	100m (330ft) outdoor	200m (660ft) outdoor



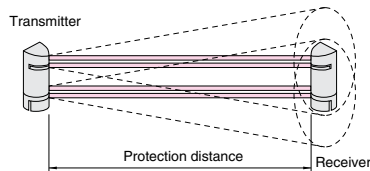
FEATURES

- 4 x synchronized high power beams
- 4 selectable beam channels to prevent crosstalk
- Double modulation for unsurpassed light immunity
- Vivid internal color body stickers aid beam alignment procedure
- Environmental monitoring circuit
- Dynamic auto-gain lock (AGL)
- ±90° horizontal ±10° vertical adjustable sensor heads
- 50,000 lux sunlight immunity



Detection System	Near infrared pulsed beam interruption system (TR-RE 4 beam simultaneous interruption)
Alarm Output	Dry contact relay output N.C./N.O. selectable Reset time: Interruption time (Min. 2sec) 30V (AC/DC) 1A Max
Supply Voltage	12 to 30V DC (non-polarity)
Current Consumption	95mA to 120mA
Functions	<ul style="list-style-type: none"> • Beam power selection • Response time adjustment • Programmed AGC • Frost proof cover
Ambient Temperature	-35°C to +66°C (-31°F to +151°F)
Optional	Pole cover, Pole-side cover, Heater, Flush mount housing
External Dimensions - WHD	104 x 390 x 98mm (4.09 x 15.35 x 3.86")
IP Rating	55
Weight - TR/RE	1.2kg (42oz) / 1.3kg (45.5oz)

PB-50FA	PB-100FA	PB-200FA
50m (165ft) outdoor	100m (330ft) outdoor	200m (660ft) outdoor



FEATURES

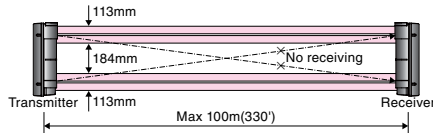
- 4 x synchronized high power beams
- Double modulation for unsurpassed light immunity
- Vivid internal color body stickers aid beam adjustment procedure
- Dynamic auto-gain lock (AGL)
- ±90° horizontal ±10° vertical adjustable sensor heads
- 50,000 lux sunlight immunity



Detection System	Near infrared pulsed beam interruption system (TR-RE 4 beam simultaneous interruption)
Alarm Output	Dry contact relay output N.C./N.O. selectable Reset time: Interruption time (Min. 2sec) 30V (AC/DC) 1A Max
Supply Voltage	12 to 30V DC (non-polarity)
Current Consumption	95mA to 120mA
Functions	<ul style="list-style-type: none"> • Response time adjustment • Programmed AGC • Frost proof cover
Ambient Temperature	-35°C to +66°C (-31°F to +151°F)
Optional	Pole cover, Pole-side cover, Heater, Flush mount housing
External Dimensions - WHD	104 x 390 x 98mm (4.09 x 15.35 x 3.86")
IP Rating	55
Weight - TR/RE	1.2kg (42oz) / 1.3kg (45.5oz)

PXB-100ATC

100m (330ft) outdoor



FEATURES

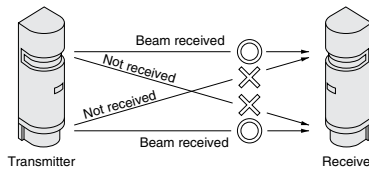
- Independent control of upper and lower beams
- Choose between synchro-quad and anti-crawl operation
- Dual outputs for crawl attempt and full beam break
- Sync wire allows stacking without crosstalk
- 4 selectable beam channels to prevent crosstalk
- Double modulation for unsurpassed light immunity
- Increased beam separation minimizes nuisance alarms
- Vivid internal color aids beam alignment procedure
- Enhanced lightning and surge protection
- Environmental monitoring circuit
- Dynamic auto-gain lock (AGL)
- $\pm 90^\circ$ horizontal $\pm 20^\circ$ vertical adjustable sensor heads
- 50,000 lux sunlight immunity
- Dual tone sound alignment check



Detection System	Near infrared pulsed beam interruption system (Anti-crawling)
Alarm Output	Dry contact relay output N.C./N.O. selectable Contact action: Interruption time (Min.2sec.) Contact capacity: 30V (AC/DC) 0.25A (resistive load) Protective resistor
Supply Voltage	12 to 30V DC (non-polarity)
Current Consumption	75mA
Functions	<ul style="list-style-type: none"> • Beam power selection • Response time adjustment • Programmed AGC
Ambient Temperature	-35°C to +66°C (-31°F to +151°F)
Optional	Pole cover, Pole-side cover, Heater
External Dimensions - WHD	114 x 450 x 100mm (4.49 x 17.72 x 3.94")
IP Rating	65
Weight - TR/RE	1.4kg (49oz) / 1.5kg (52.5oz)

PB-IN-100AT

100m (330ft) outdoor



FEATURES

- Anti-crawl beam for high-security applications
- Independent control of upper or lower beams
- 4 selectable beam channels to prevent crosstalk
- Dual response time system
- Double modulation for unsurpassed light immunity
- Vivid internal color body stickers aid beam adjustment procedure.
- Environmental monitoring circuit
- Dynamic auto-gain lock (AGL)
- $\pm 90^\circ$ horizontal $\pm 10^\circ$ vertical adjustable sensor heads
- 50,000 lux sunlight immunity



Detection System	Near infrared pulsed beam interruption system (Anti-crawling)
Alarm Output	Dry contact relay output: form C Reset time: Detection time + delay time (approx. 1.5sec) 30V (AC/DC) 0.25A Max
Supply Voltage	12 to 30V DC (non-polarity)
Current Consumption	57mA
Functions	<ul style="list-style-type: none"> • Beam power selection • Dual response time system • Programmed AGC
Ambient Temperature	-35°C to +66°C (-31°F to +151°F)
Optional	Pole cover, Pole-side cover, Heater, Flush mount housing
External Dimensions - WHD	104 x 390 x 98mm (4.09 x 15.35 x 3.86")
IP Rating	55
Weight - TR/RE	1.2kg (42oz) / 1.3kg (45.5oz)

BD136-3

30m (100ft) outdoor

BD136-6

60m (200ft) outdoor

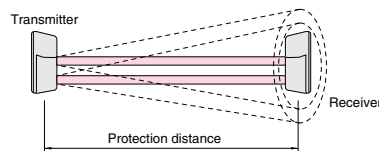
BD136-10

100m (330ft) outdoor

PB-30TK

PB-60TK

PB-100TK



FEATURES

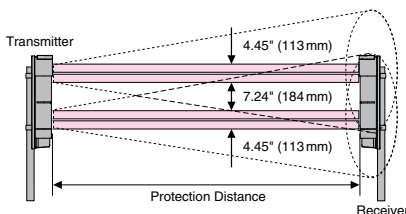
- 2 x synchronized high power beams
- Double modulation for unsurpassed light immunity
- Vivid internal color body stickers aid beam alignment procedure
- $\pm 90^\circ$ horizontal $\pm 10^\circ$ vertical adjustable sensor heads
- 50,000 lux sunlight immunity



Detection System	Near infrared (through type)
Alarm Output	Dry contact relay output: form C Reset time: Detection time + delay time (approx. 1 - 3sec) 30V (AC/DC) 0.5 A Max
Supply Voltage	10 to 30V DC (non-polarity)
Current Consumption	53mA to 80mA
Functions	<ul style="list-style-type: none"> • Response time adjustment • Auto-gain control (AGC) • Frost proof cover
Ambient Temperature	-25°C to +60°C (-13°F to +140°F)
Mounting Position	Outdoor, indoor
Optional	Pole cover, Pole attachment
External Dimensions - WHD	73 x 170 x 71.5mm (2.87 x 6.69 x 2.81")
IP Rating	54
Weight - TR/RE	380g (13.3oz) / 400g (14oz)

BD138-4
TXF-125DM

25m (82ft) 50m (165ft) 75m (245ft) 100m (330ft)



FEATURES

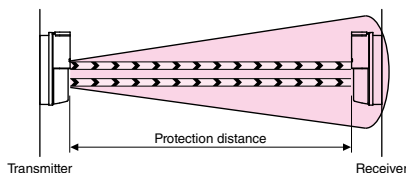
- 4 x synchronized high power beams
- 4 Selectable operation ranges (25/50/75/100m)
- 4 Selectable beam channels to prevent crosstalk
- Double modulation
- Up to 3 years battery life using LS33600(3.6V 17Ah) : (TX:4pcs, RX:2pcs)
- Increased beam separation minimizes nuisance alarms
- Vivid internal color aids beam alignment procedure
- Environmental monitoring circuit
- $\pm 90^\circ$ horizontal $\pm 20^\circ$ vertical adjustable sensor heads
- Optional accessories available:
 - Extension cable (for use in tower enclosures)
 - Power Converter Unit TR/RE (for wired operation)
- Dual tone sound alignment check



Detection System	Near infrared pulsed beam interruption system (TR-RE 4 beam simultaneous interruption)
Alarm Output	Solid state switch: form C DC 3.6V 0.01A (resistive load)
Supply Voltage	3.6V DC (SAFT LS33600 recommended)
Current Consumption	When armed Transmitter : Approx. 1.130µA Receiver : Approx. 520µA
Functions	<ul style="list-style-type: none"> • Response time adjustment • Low battery indication • Battery saving • Repeat output
Ambient Temperature	-25°C to +60°C (-13°F to +140°F)
Optional	Pole cover, Anti-bird spike
External Dimensions - WHD	114 x 450 x 135mm (4.49 x 17.72 x 5.31")
IP Rating	65
Weight - TR/RE	1.35kg (47.3oz) / 1.35kg(47.3oz) (excluding batteries)

BD138-2
TXF-20TDM

20m (66ft) Outdoor



FEATURES

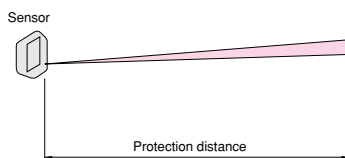
- 2 x Synchronized high power beams
- Double modulation
- 4 Selectable beam channels to prevent crosstalk
- Up to 3 years battery life using LS33600 (3.6V 17Ah) : (TX:2pcs, RX:2pcs)
- $\pm 95^\circ$ horizontal / $\pm 10^\circ$ vertical adjustment
- Compatible with numerous wireless transmitter units
- Dual tone sound alignment check



Detection System	Near infrared pulsed beam interruption system (TR-RE 2 beam simultaneous interruption)
Alarm Output	Solid state switch: from C Alarm / Low battery / Tamper
Supply Voltage	3.6V DC 0.01A (resistive load) 3.6V DC (SAFT LS33600 recommended)
Power Output	3.0 to 3.6V DC 65mA max. (2 x new batteries)
Current Consumption	When armed Transmitter : Approx. 670µA Receiver : Approx. 520µA
Functions	<ul style="list-style-type: none"> • Response time adjustment • Low battery indication • Battery saving • Repeat output
Ambient Temperature	-25°C to +60°C (-13°F to +140°F)
Optional	Pole attachment, Anti-bird spike
External dimensions - WHD	94 x 260 x 85mm (3.7 x 10.23 x 3.34")
IP Rating	55
Weight - TR/RE	500g (17.6oz) / 520g (18.3oz) (excluding batteries)

BD138-1
PR-1B

1m (3.3ft) indoor



FEATURES

- Motionless objects can be detected
- Direct reflection system (no reflector required)
- Cable only to one end: for applications where a beam break is desirable but wiring to both ends is impractical
- Slim and compact size
- Snap off/on terminal cover for easy wiring

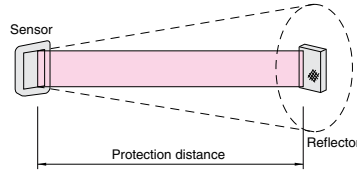


Detection System	Near infrared (direct reflection type)
Alarm Output	Dry contact relay output: form C Reset time: Detection time + delay time (approx. 0.5sec) 30V (AC/DC) 0.5A Max
Supply Voltage	10.5 to 22V DC (non-polarity)
Current Consumption	60mA
Ambient Temperature	-20°C to +50°C (-4°F to +122°F)
Mounting Position	Indoor
Optional	Flush mount plate, L bracket
External Dimensions - WHD	62 x 106 x 23.5mm (2.44 x 4.17 x 0.93")
Weight	75g (2.6oz)

BD138-5

PR-5B

5m (16.5ft) indoor



FEATURES

- Reflection type
- Cable only to one end: for applications where a beam break is desirable but wiring to both ends is impractical
- Ideal for short distance protection across entrances and exits, corridors and staircases
- Slim and compact size
- Snap off/on terminal cover for easy wiring

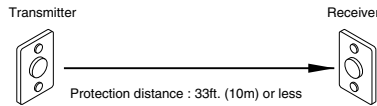
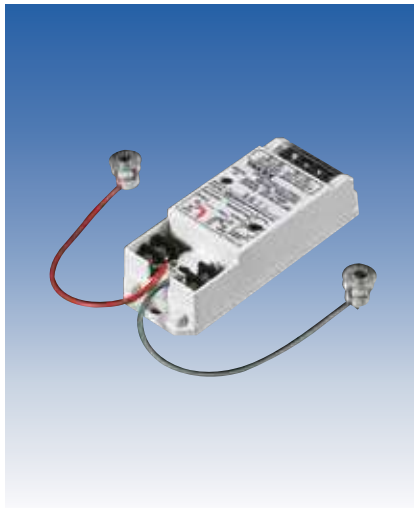
Detection System	Near infrared (reflection type)
Alarm Output	Dry contact relay output: form C Reset time: Detection time + delay time (approx. 1 sec) 30V (AC/DC) 0.5A Max
Supply Voltage	10.5 to 26V DC (non-polarity)
Current Consumption	37mA
Ambient Temperature	-20°C to +50°C (-4°F to +122°F)
Mounting Position	Indoor
Optional	Flush mount plate, L bracket
External Dimensions - WHD	62 x 106 x 23.5mm (2.44 x 4.17 x 0.93")
Weight - SENS/REFL	90g (3.2oz) / 50g (1.8oz)

REFLECTIVE BEAMS
The single-ended nature of our reflective beams make them ideal for short distance monitoring across entrances and exits, corridors and staircases.

BD136-8

PB-10NS

10m (33ft) indoor



FEATURES

- Single beam
- Miniaturized control box
- Sensor cord can be cut to required length
- Supplied with flush mounting plates for sensor heads
- Ideal for discreet/covert/prestige applications
- Built-in sensitivity adjustment

Detection System	Near infrared (through type)
Alarm Output	Dry contact relay output: N.C./N.O. selectable Reset time: Detection time + delay time (approx. 1 sec.) 30V (AC/DC) 0.3A Max
Supply Voltage	10 to 30V DC (non-polarity)
Current Consumption	45mA
Ambient temperature	-25°C to +55°C (-13°F to +131°F)
Mounting Position	Indoor, semi-outdoor
External Dimensions - WHD	SENS: 15 dia. x 16mm (0.59 dia. x 0.63") AMP: 45 x 120 x 29mm (1.77 x 4.72 x 1.14")
Weight - SENS/AMP	120g (4.2oz) inc. cable / 95g (3.3oz)

MINIATURE BEAMS
Ideal for discreet/covert/prestige applications including ATM machines, motor driven shutters, windows and corridors.

BD127-11
MS-LENS-BLACK

BD127-10
Cover For TX - 114 and MS - 12

BD127-12
MS-LENS-WHITE

White lens
For:

- MS-12TE/FE
- TX-114FR/TR
- TX-114SR

BD127-6

Theft deterrent bracket for wired outdoor Takex detectors
For BD126, BD126-1, BD126-2, BD126-7

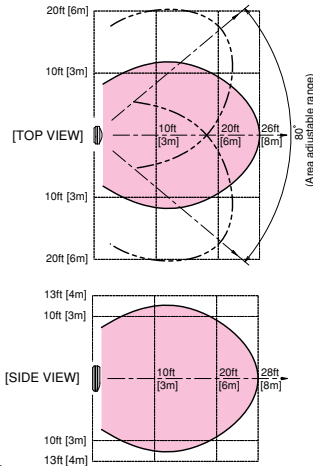
Flush mount internal pin lock and key mechanism
Includes mounting hardware
Chemical wall anchor agent not included
Dimensions: 286 x110 x34mm

BD126-11
MX-12FAM-LENS

BD127-9

Theft Deterrent Steel Bracket for Takex Wired Outdoor Passives
For BD126-3 and BD126-7
2mm Anodised Steel Plate manufacture

GS-1100E
7m (23ft) x 8m (26ft)

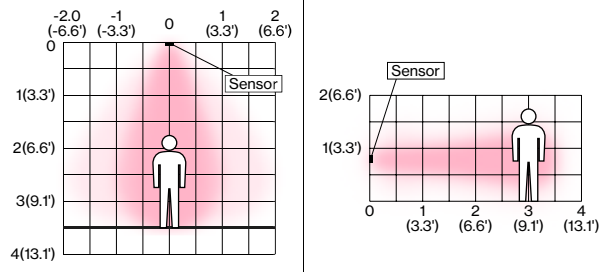


FEATURES

- Ultrasonic type
- Wall mount design
- Easy installation
- Alarm/environmental LED operation check
- Alarm memory function
- Sensitivity adjustment
- Slim and compact 32mm (1.26") profile
- Glass checker EG-2000 available (Optional)

Detection System	Ultrasonic
Alarm Output	Dry contact relay output: N.C. Reset time: approx. 2sec 30V (AC/DC) 0.1 A Max
Supply Voltage	9 to 30V DC (non-polarity)
Current Consumption	30mA
Ambient Temperature	-10°C to +50°C (+14°F to +122°F)
Mounting Position	Wall (indoor)
External Dimensions -WHD	70 x 110 x 32mm (2.75 x 4.33 x 1.26")
Weight	120g (4.23oz)

MMW-3W/(BK)
Wide

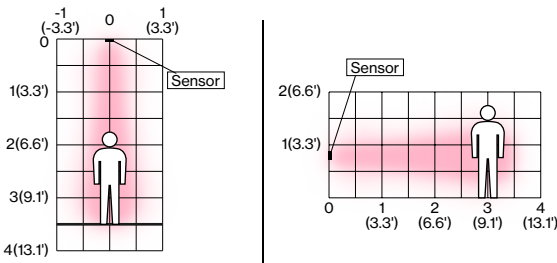


FEATURES

- mmWave sensing technology
- 0.2 - 3.5m detection distance
- Environmental & false alarm immunity
- NC/NO selectable output
- Touchless switch mode
- Simple & Discreet design
- Available in white and black finishes

Detection System	Presence sensor
Alarm Output	Dry contact N.C./N.O. selectable. Continuous output during detection *at least 2sec. 30V (DC/AC) 0.2A (resistive load).
Supply Voltage	9 to 28V DC (non-polarity)
Current Consumption	40mA max.
Ambient Temperature	-25°C to +50°C (-13°F to +122°F) without condensation
Mounting Position	Indoor : Ceiling / Wall
External Dimensions -WHD	110 x 109 x 28mm (4.30 x 4.20 x 1.10")
Weight	160g (5.6oz)

MMW-3S/(BK)
Spot



FEATURES

- mmWave sensing technology
- 0.2 - 3.5m detection distance
- Environmental & false alarm immunity
- NC/NO selectable output
- Touchless switch mode
- Simple & Discreet design
- Available in white and black finishes

Detection System	Presence sensor
Alarm Output	Dry contact N.C./N.O. selectable. Continuous output during detection *at least 2sec. 30V (DC/AC) 0.2A (resistive load).
Supply Voltage	9 to 28V DC (non-polarity)
Current Consumption	40mA max.
Ambient Temperature	-25°C to +50°C (-13°F to +122°F) without condensation
Mounting Position	Indoor : Ceiling / Wall
External Dimensions -WHD	110 x 109 x 28mm (4.30 x 4.20 x 1.10")
Weight	160g (5.6oz)



Contact Us

Website: www.reditron.co.za

Phone: 087 802 2288

Email: sales@reditron.co.za

WhatsApp: Send "Hi" to 069 300 8642

Our Branches

Johannesburg (Head Office)

9 Electron Rd, Frankenwald, Sandton, 2090

Cape Town

7 Gold St, Brooklyn, Cape Town, 7405

Durban

56 Intersite Ave, Umgeni Business Park, Durban

Nelspruit

Waterfall Park, Rapid St, Riverside Industrial Park, Mbombela, 1200

Limited Warranty

TAKEX products are warranted to be free from defects in material and workmanship for 12 months from original date of shipment. Our warranty does not cover damage or failure caused by Acts of God, abuse misuse, abnormal usage, faulty installation, improper maintenance or any repairs other than those provided by TAKEX. All implied warranties with respect to TAKEX, including implied warranties for merchantability and implied warranties for fitness, are limited in duration to 12 months from original date of shipment. During the Warranty Period, TAKEX will repair or replace, at its sole option, free of charge, any defective parts returned prepaid. Please provide the model number of the products, original date of shipment and nature of difficulty being experienced. There will be charges rendered for product repairs made after our Warranty Period has expired.

Please note

This sensor is designed to detect intrusion and to initiate an alarm; it is not a burglary or a crime preventing device. TAKEX is not responsible for damage, injury or losses caused by accident, theft, Acts of God (including inductive surge by lightning), abuse, misuse, abnormal usage, faulty installation or improper maintenance.

SECURITY & CONTROL PRODUCT CATALOG

Publication : **TAKENAKA ENGINEERING CO., LTD.**

TAKEX

In Japan

Takenaka Engineering Co., Ltd.
83-1, Gojo-Dori, Sotokan Nishi-iru, Higashino,
Yamashina-ku, Kyoto 607-8156, Japan
Tel : 81-75-501-6651

<https://www.takex-eng.co.jp/>

In the U.S.

Takex America Inc.
1810 Oakland Rd, Suite F,
San Jose, CA 95131, USA
Tel : 408-747-0100

<https://www.takex.com>

In Australia

Takex America Inc.
4/15 Howleys Road, NottingHill,
VIC,3168
Tel : +61 (03) 9544-2477

<https://www.takex.com>

In the U.K.

Takex Europe Ltd.
Aviary Court, Wade Road,
Basingstoke, Hampshire. RG24 8PE, U.K.
Tel : (+44) 01256-475555

<https://www.takex.com>